

# Bulk Storage Bin System

Short-Term Bulk Storage  
With Optimal Product Handling

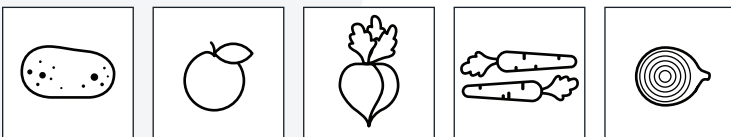


The Bulk Storage Bin System provides short-term potato and produce storage of 4200 cubic feet of product per bin. It offers optimal product integrity, with an inclined inlet, lowerater, support baffle, optional sheer plows, and more for gentle handling and even filling. Multiple discharge options with metering controls flow to processing, optimizing production uptime.

Its modular design simplifies shipping and installation and provides flexible configurations in various sizes – for one bin or multiple.

- Store up to 4200 cu ft of product per bin
- Optimal product integrity with gentle handling and even filling
- Multiple discharge options with metering controls
- Strong folded sheet metal modular panel construction
- No internal support bracing allows for complete loading and unloading with no interference
- Easy access design for maintenance and sanitation

## Common Food Applications



Potatoes

Apples

Beets

Carrots

Onions

# Bulk Storage Bin System

## Specifications

Bin Capacity: 4200 cu ft (117 tonnes)

Bin Dimensions:

Length: 18, 21, or 24 ft (5.5, 6.4, or 7.3 m)

Height: up to 8 ft (2.4 m)

Electrical: 230-460 VAC, 3 Phase (other voltages available)

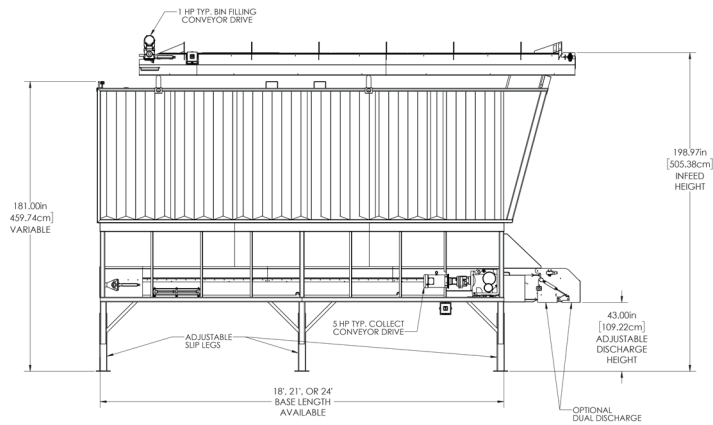
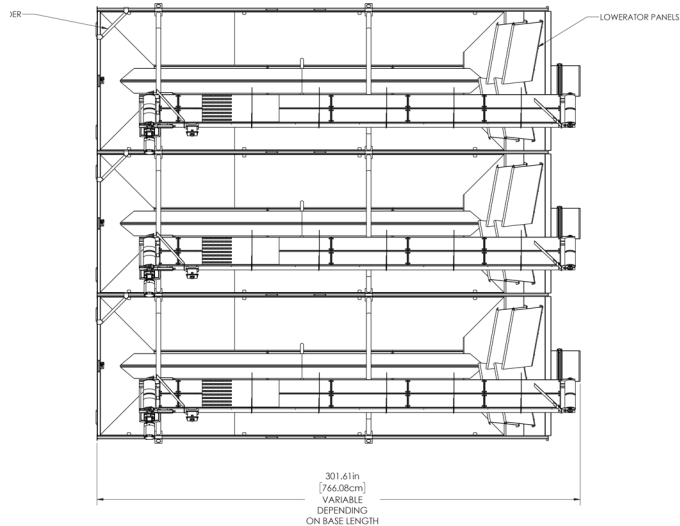
Motor: 1-5 HP

## Features

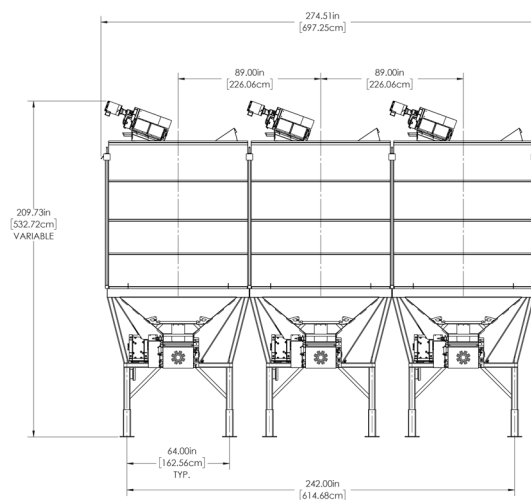
- Single or multiple bin systems
- Configurable infeed
- Multiple outlet belt or auger discharges available
- Built-in ladder
- Platform

## Options

- Heavy-duty model available for French fry production
- Full-length drain pan
- CIP system
- Traveling shear plows
- Nuclear scale



NOTE: ALL HEIGHT DIMENSIONS ARE ADJUSTABLE +/- .4in [10.16cm] WITH SUP LEG



E 6.23v4

## Contact Us

Vanmark is proud to provide top quality equipment, exceptional service and peace of mind worldwide for the potato and produce processing industries. Contact us for more information and to custom-fit the Bulk Storage Bin System for your specific application.



To feed our growing world - Together

Phone: +1 740-201-0004

Email: [sales@vanmark.com](mailto:sales@vanmark.com)

[vanmark.com](http://vanmark.com)